

AC centrifugal compact fan

single-intake



Nominal data

Type	RL 90-18/06	
Phase		1~
Nominal voltage	VAC	115
Frequency	Hz	60
Speed (rpm)	min ⁻¹	2550
Power consumption	W	19.5
Min. ambient temperature	°C	-30
Max. ambient temperature	°C	85
Air flow	m ³ /h	42
Sound power level	B	6.0

ml = Max. load · me = Max. efficiency · fa = Free air · cs = Customer specification · ce = Customer equipment
Subject to change

AC centrifugal compact fan

single-intake

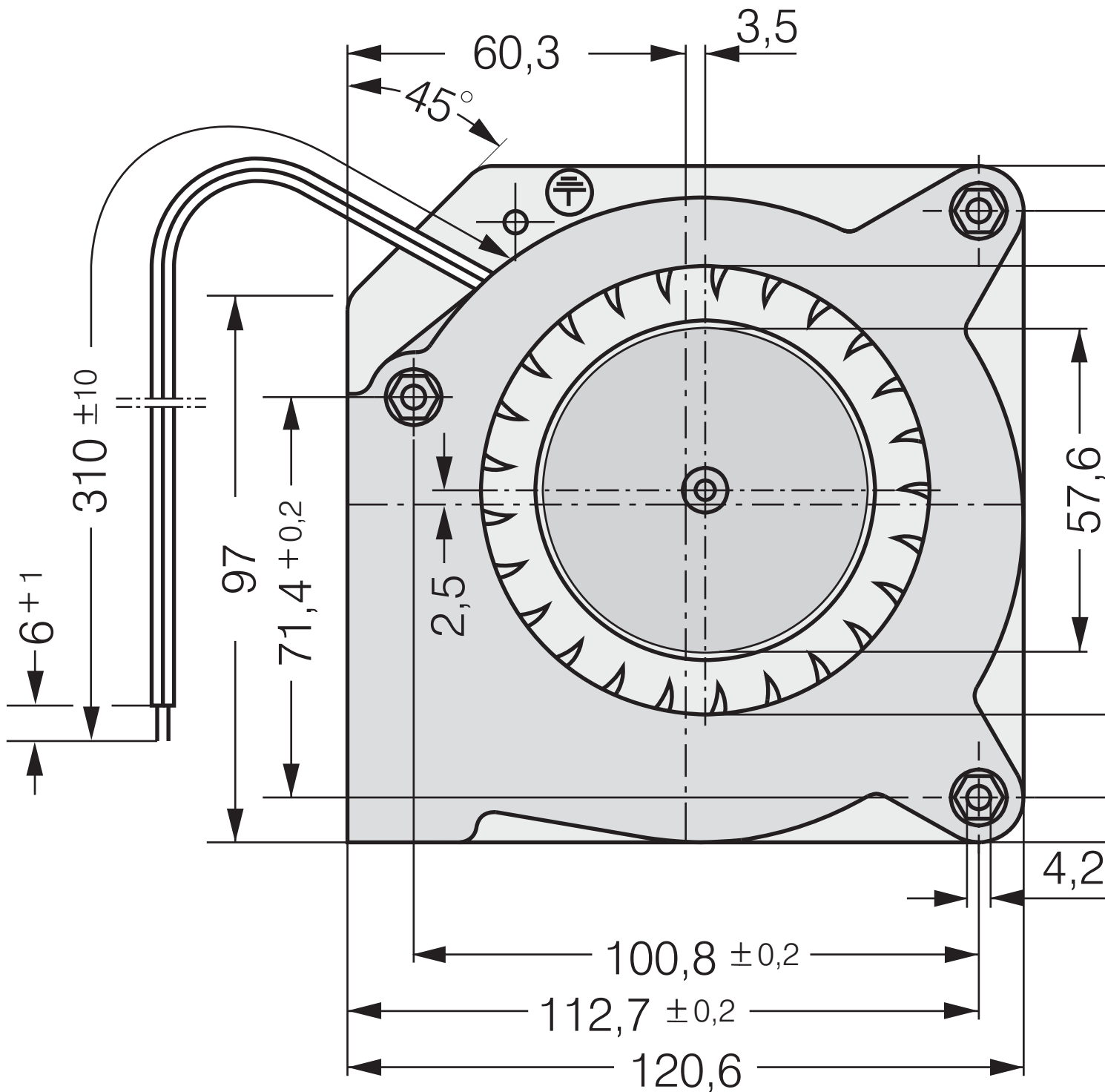
Technical description

General description	Forward-curved impeller
Housing material	Scroll housing made of glass-fiber reinforced PBT plastic, housing base made of sheet steel
Weight	0.680 kg
Dimensions	121 x 121 x 37 mm
Impeller material	Glass-fiber reinforced PA plastic
Airflow direction	Radial, discharge through window in housing
Direction of rotation	Clockwise, viewed toward rotor
Storage	Ball bearing
Service life L10 at 40 °C	37500 h
Service life L10 at maximum temperature	15000 h
Cable	To 2 leads AWG 22. Housing base with flat plug 6.3 x 0.8 mm for protective earth
Motor protection	Protected from overload by impedance protection
Approval	VDE, CSA, UL, CE

AC centrifugal compact fan

single-intake

Product drawing



*Federmutter M4 oder 8-32UNC. Eins

Curves: Air performance

